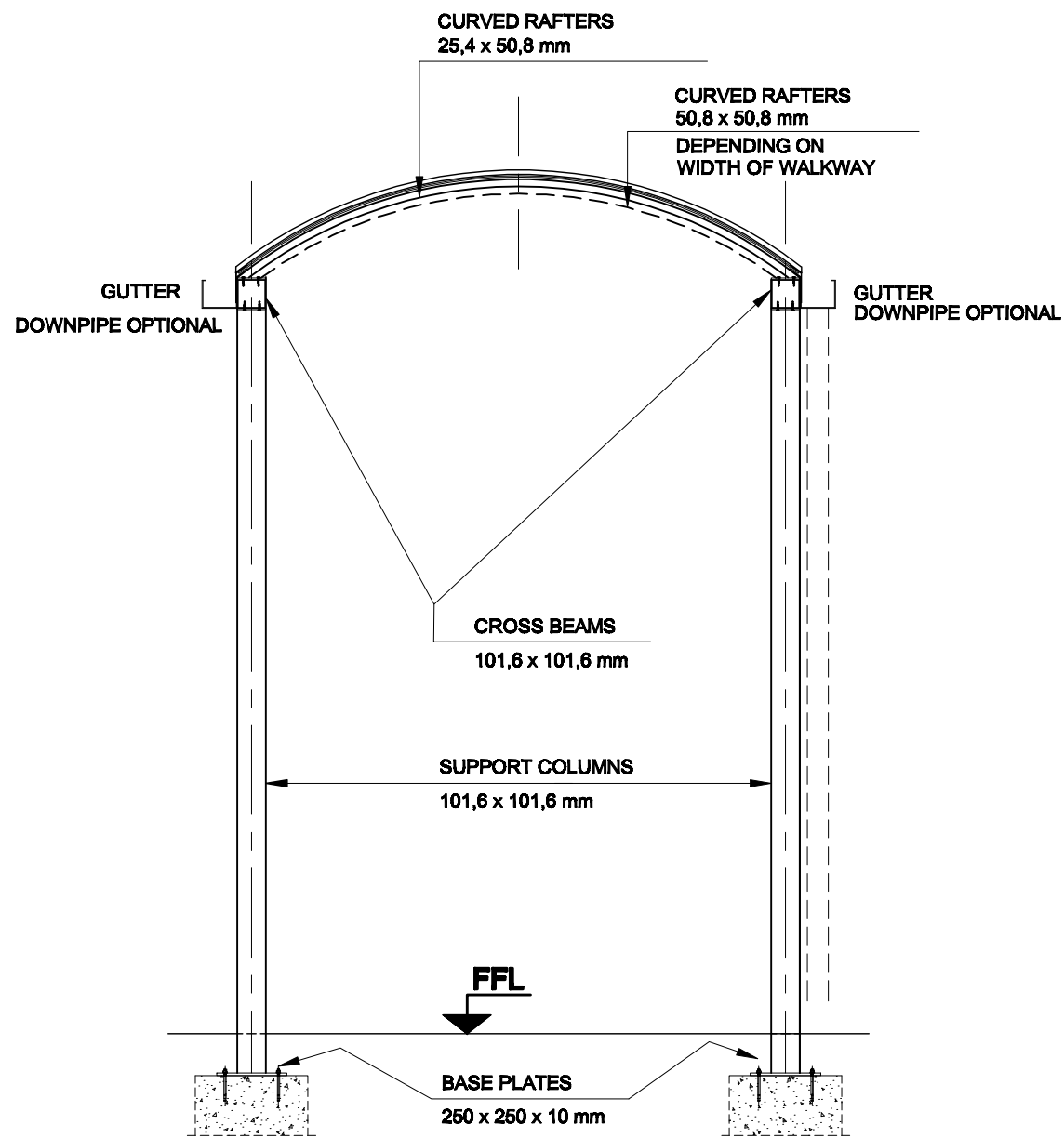
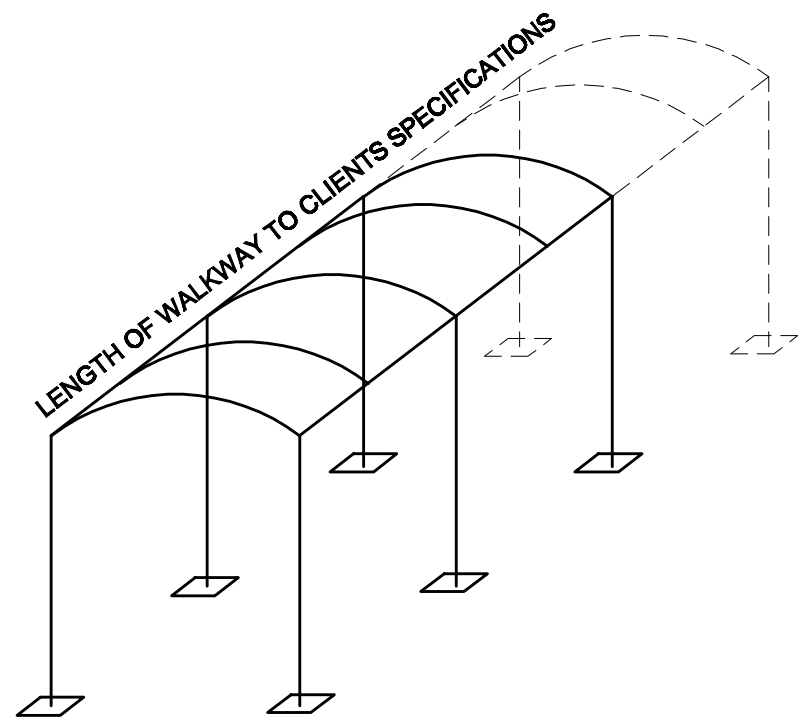
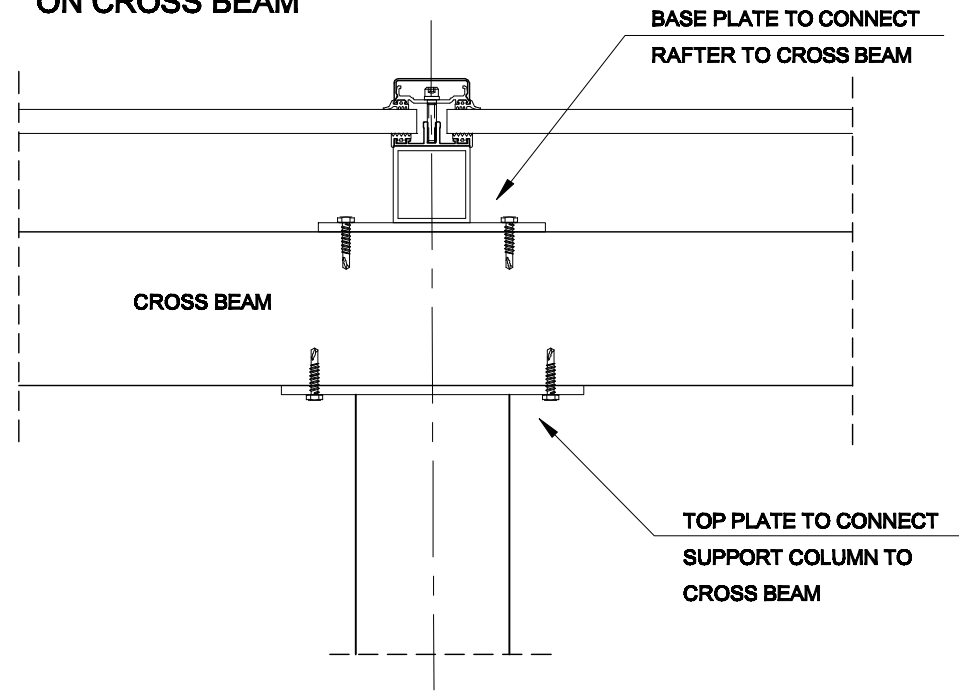


# TYPICAL SECTION



WALKWAYS CAN BE MANUFACTURED AS LOW PROFILE BARREL TOP WITH POLY-CARBONATE GLAZING OR AS MONO OR DUO-PITCH TOP WITH POLYCARBONATE OR GLASS GLAZING  
 THEY CAN BE FULLY ENCLOSED WITH SINGLE OR DOUBLE DOORS AND VENTS OR PARTIALLY ENCLOSED  
 DIMENSIONS TO CLIENTS SPECIFICATION.

# ELEVATION RAFTER CONNECTION ON CROSS BEAM



DRAWING NUMBER :	DRAWING TITLE:	FIRST ISSUE DATE:
<b>A3 - WW- WEB 60</b>	<b>LOW PROFILE BARREL TOP WALKWAY SECTION WITH SUPPORT COLUMNS - FREESTANDING</b>	<b>DEC.2013</b>
<b>BBS Building Components</b>		SCALE:
		<b>1:25 / 1:5</b>