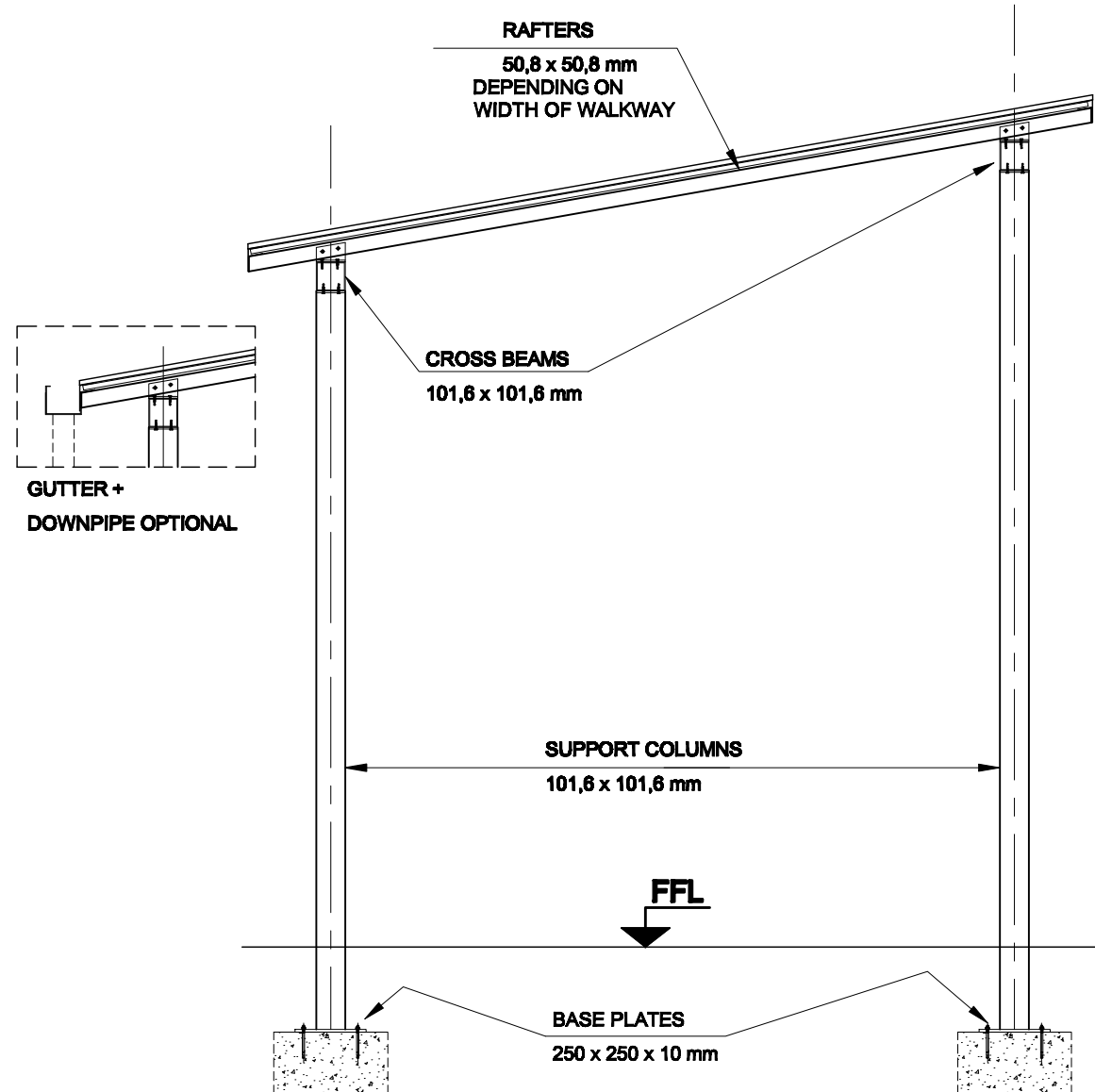
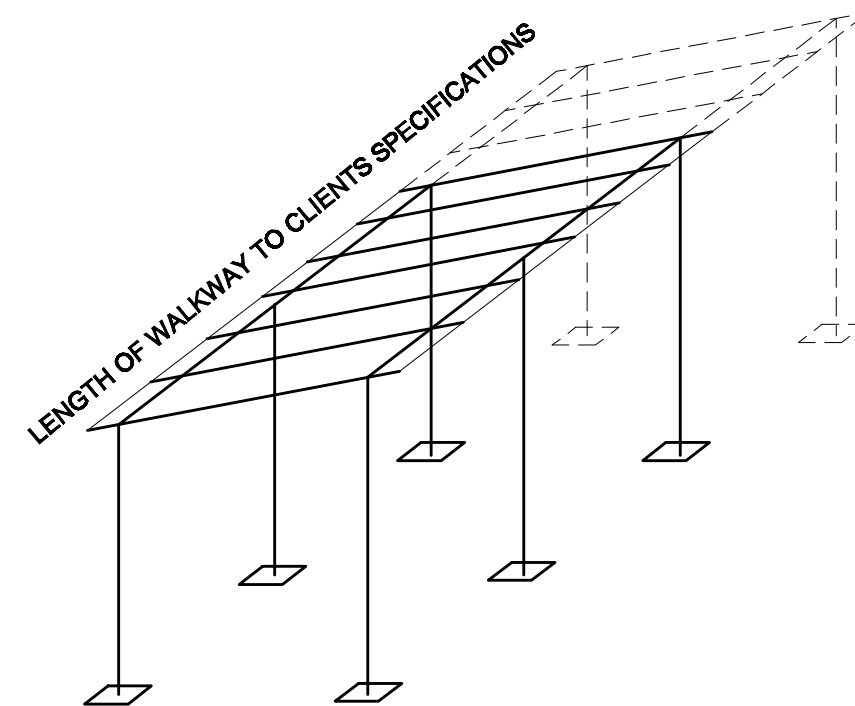
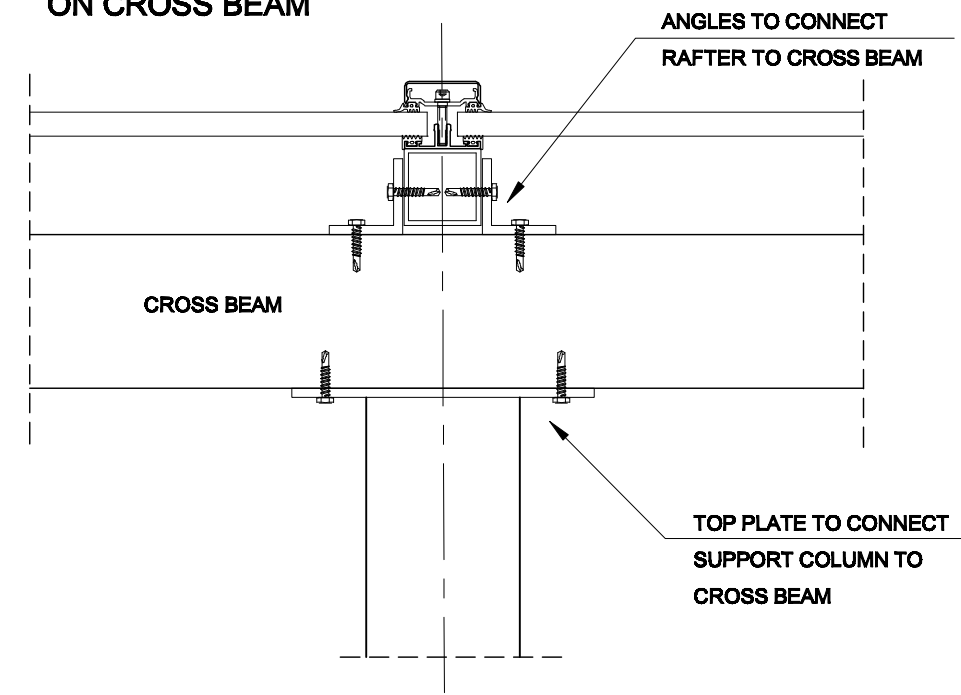


## TYPICAL SECTION



WALKWAYS CAN BE MANUFACTURED AS  
LOW PROFILE BARREL TOP WITH POLY-  
CARBONATE GLAZING OR AS MONO OR  
DUO-PITCH TOP WITH POLYCARBONATE  
OR GLASS GLAZING  
THEY CAN BE FULLY ENCLOSED WITH  
SINGLE OR DOUBLE DOORS AND VENTS  
OR PARTIALLY ENCLOSED  
DIMENSIONS TO CLIENTS SPECIFICATION.

## ELEVATION RAFTER CONNECTION ON CROSS BEAM



DRAWING NUMBER :

**A3 - WW- WEB 61**

**BBS Building Components**

DRAWING TITLE:

**FREE STANDING MONO-PITCH WALKWAY  
WITH SUPPORT COLUMNS**

FIRST ISSUE DATE:

**DEC.2013**

SCALE:

**1:25 / 1:5**