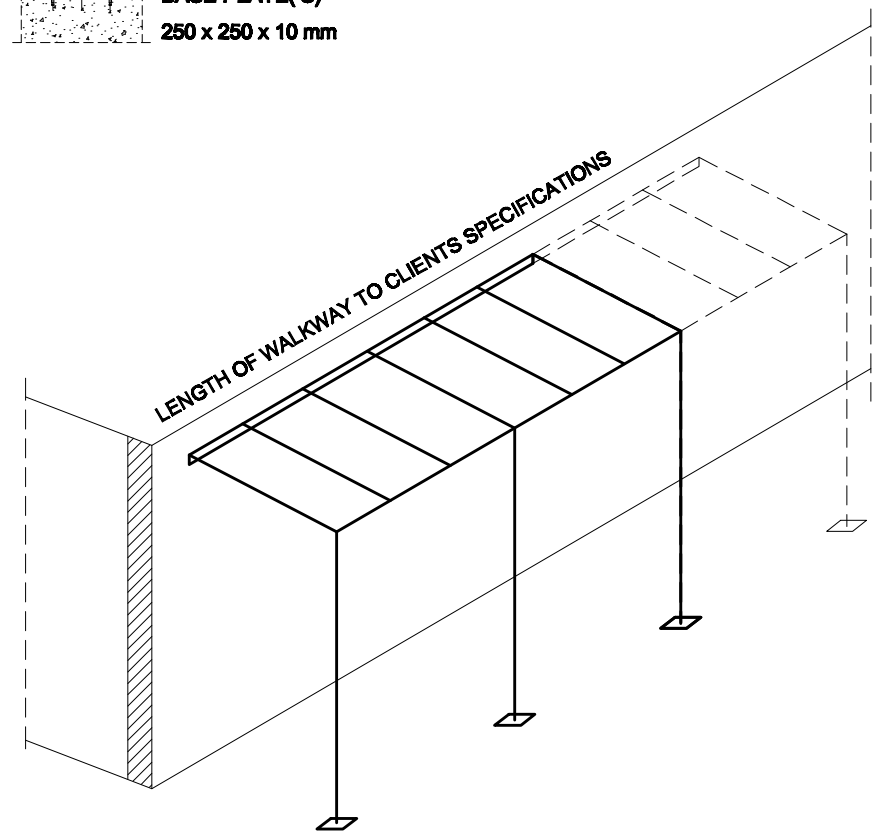
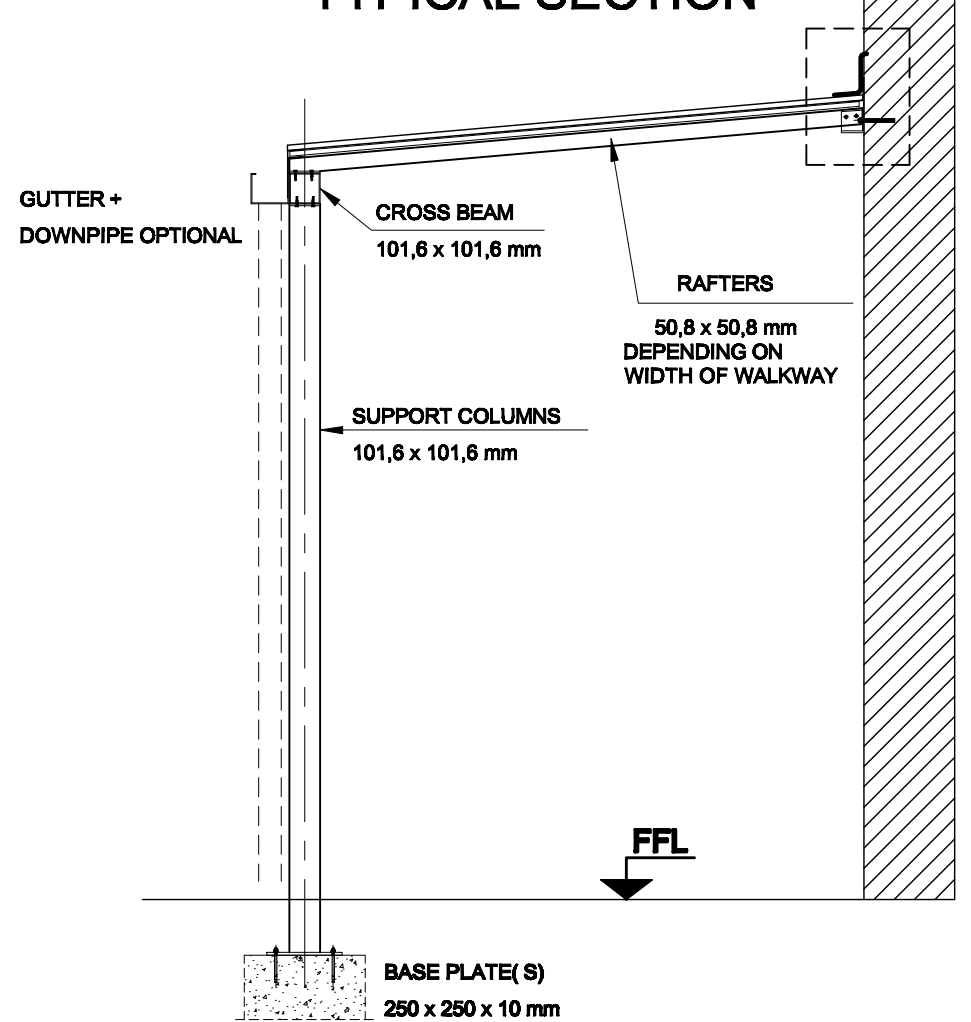
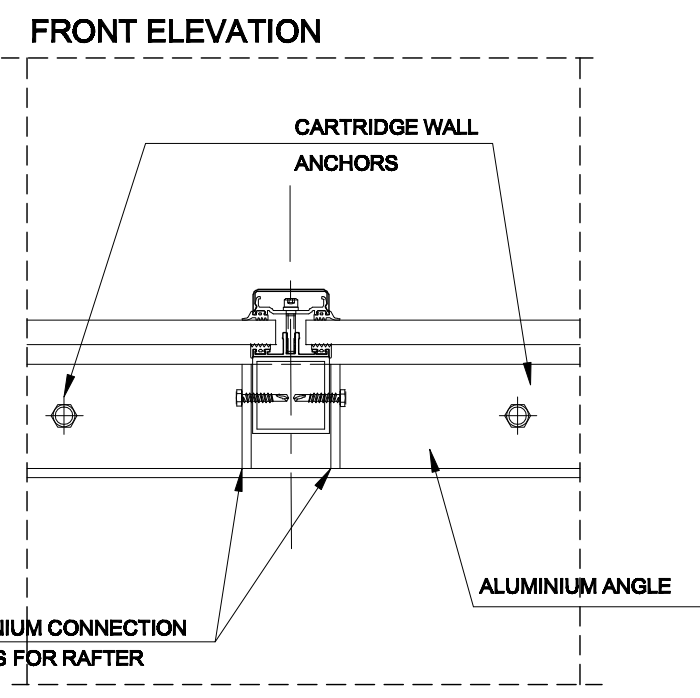
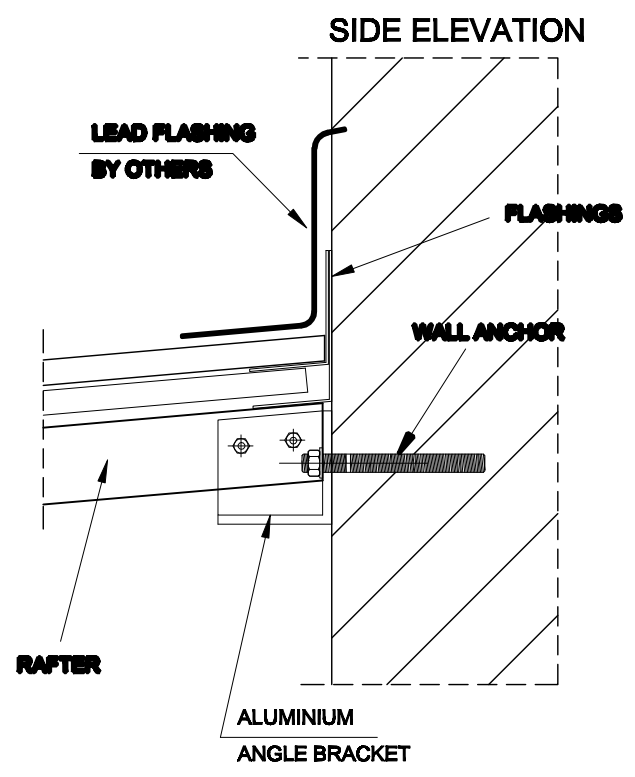


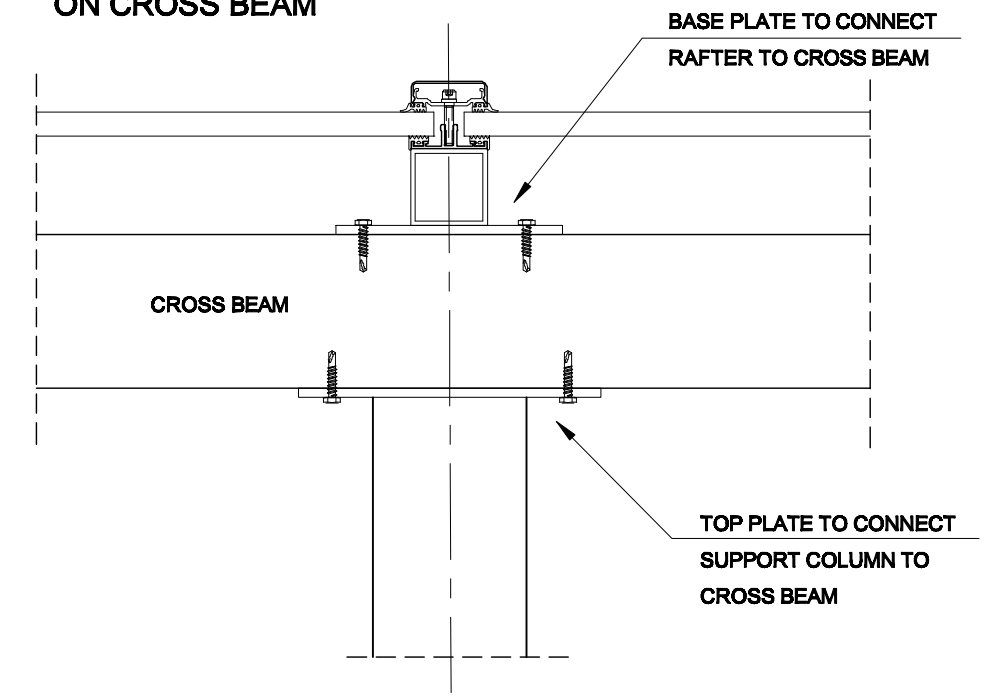
TYPICAL SECTION



WALL CONNECTION



FRONT ELEVATION RAFTER CONNECTION ON CROSS BEAM



DRAWING NUMBER : A3 - WW- WEB 62	DRAWING TITLE: LEAN TO WALKWAY WITH SUPPORT COLUMNS TO THE FRONT	FIRST ISSUE DATE: DEC.2013
BBS Building Components		SCALE: 1:25 / 1:5