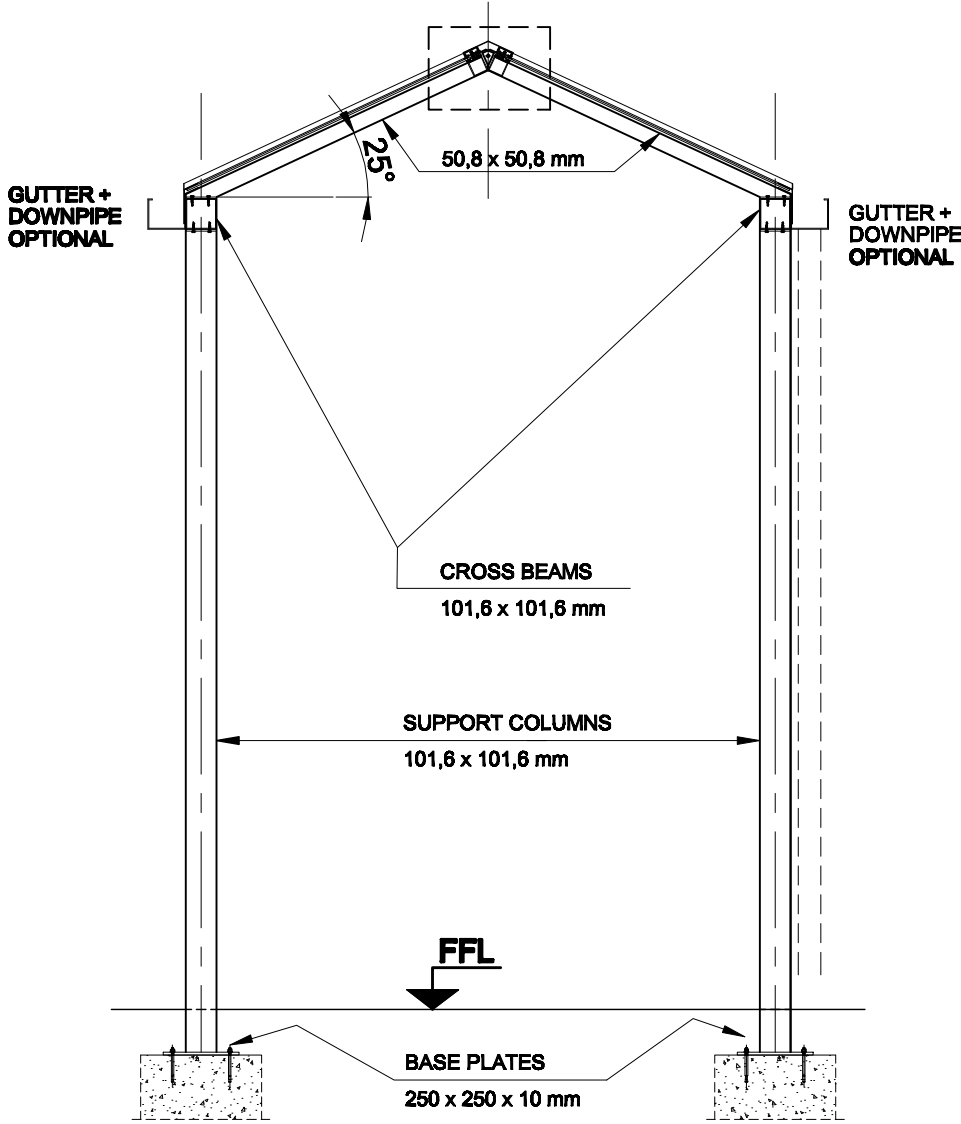
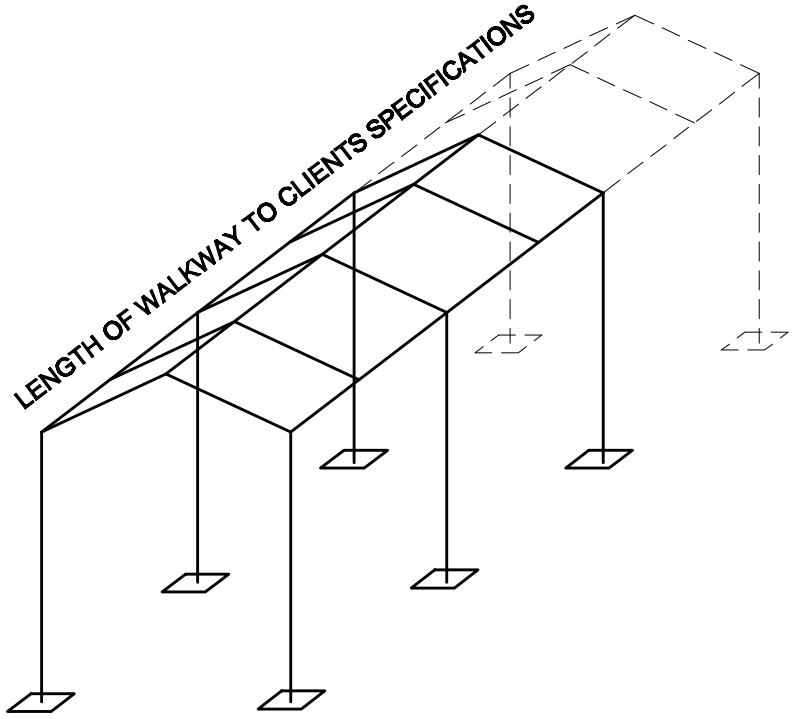
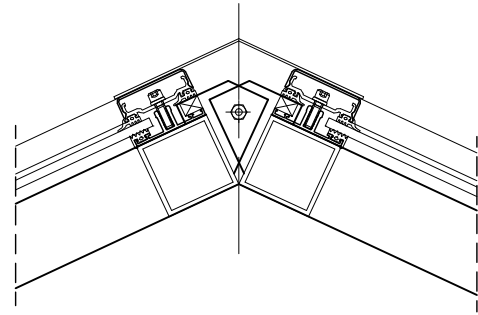
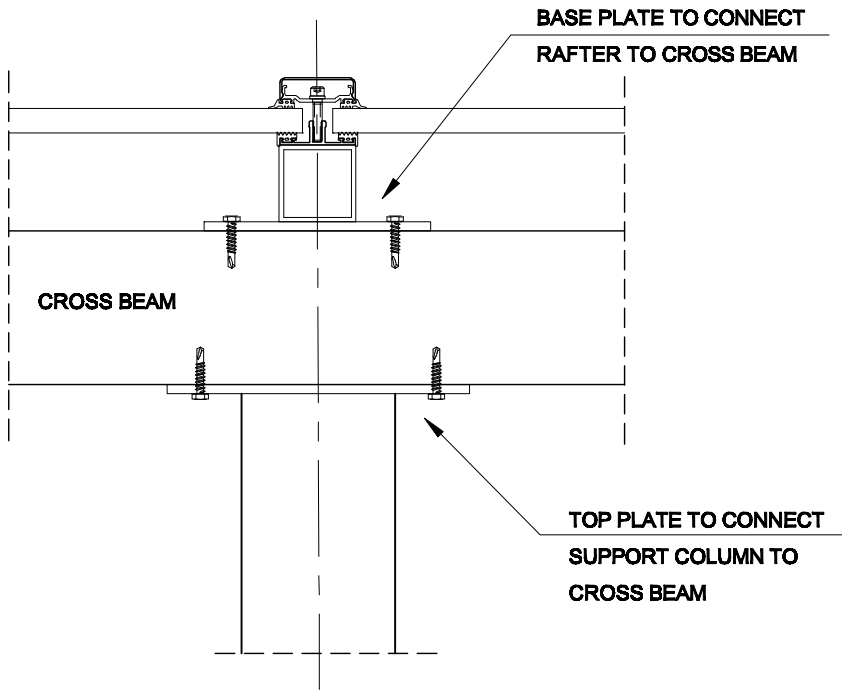


TYPICAL SECTION



ELEVATION RAFTER CONNECTION ON CROSS BEAM



WALKWAYS CAN BE MANUFACTURED AS LOW PROFILE BARREL TOP WITH POLY-CARBONATE GLAZING OR AS MONO OR DUO-PITCH TOP WITH POLYCARBONATE OR GLASS GLAZING
 THEY CAN BE FULLY ENCLOSED WITH SINGLE OR DOUBLE DOORS AND VENTS OR PARTIALLY ENCLOSED
 DIMENSIONS TO CLIENTS SPECIFICATION.

DRAWING NUMBER :	DRAWING TITLE:	FIRST ISSUE DATE:
A3 - WW- WEB 63	FRESTDANDING DUO-PITCH WALKWAY WITH SUPPORT COLUMNS	DEC.2013
BBS Building Components		SCALE:
		1:25 / 1:5