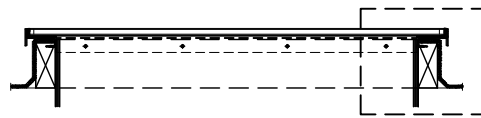
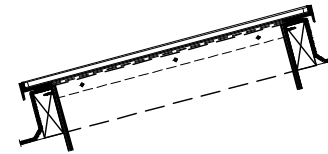


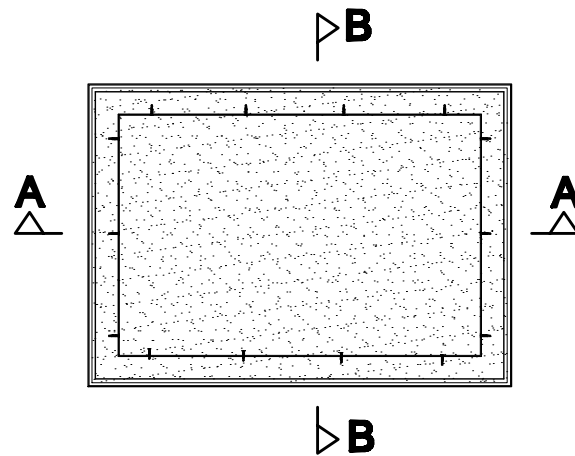
SECTION A - A



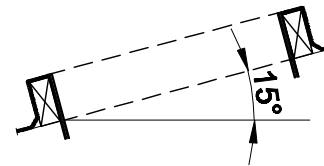
SECTION B - B



PLAN VIEW

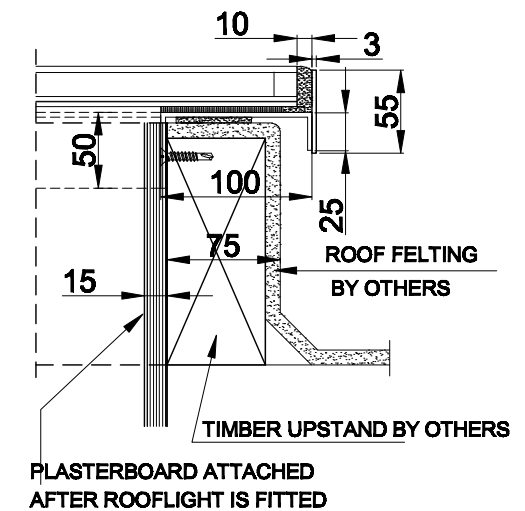


UPSTAND ON 15° ROOF



STRUCTURE :
 4 mm THICK FOAM LAYER
 3 mm THICK ALUMINIUM BASE ,
 FASTENED INSIDE THE UPSTAND
 3 mm THICK ALUMINIUM KEEPER PLATE
 10 mm MASTIC SEAL ALL AROUND

DETAIL



BBS -Mk. 7 flat glazed rooflights can be manufactured to any bespoke size requested by the customer, up to a maximum roof opening size of 1500 x 2000 mm

Mk.7 rooflights are fitted with standard glazing comprising 6 mm clear toughened outer , 16 mm argon cavity and 6,4 mm clear laminated low E inner .

Other glass specifications such as obscure , self cleaning and solar control are available on request .

Panel sizes should not exceed 1270 mm x 1270 mm if the rooflight has to comply with ACR [M]001:20122 requirements .

Mk. 7 rooflights are fitted inside the roof opening with countersunk screws to allow the customer to fit plasterboards on top of the BBS-base

Mk. 4 rooflights should not be fitted to roof pitches above 15 degrees.

DRAWING NUMBER :
A3 - MK7 - WEB 23
BBS Building Components

DRAWING TITLE:
BBS-MARK 7 MONO-PITCH ROOFLIGHT ON SLOPED ROOF , FLUSH GLAZED

FIRST ISSUE DATE:
OCT.2013
 SCALE:
1:25 / 1:5