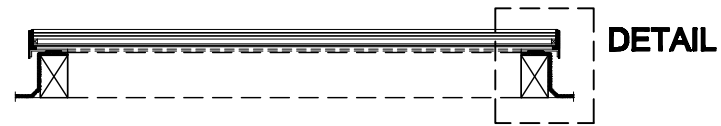
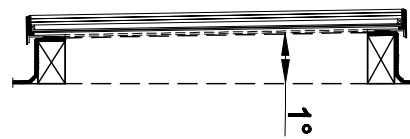


SECTION A - A



SECTION B - B



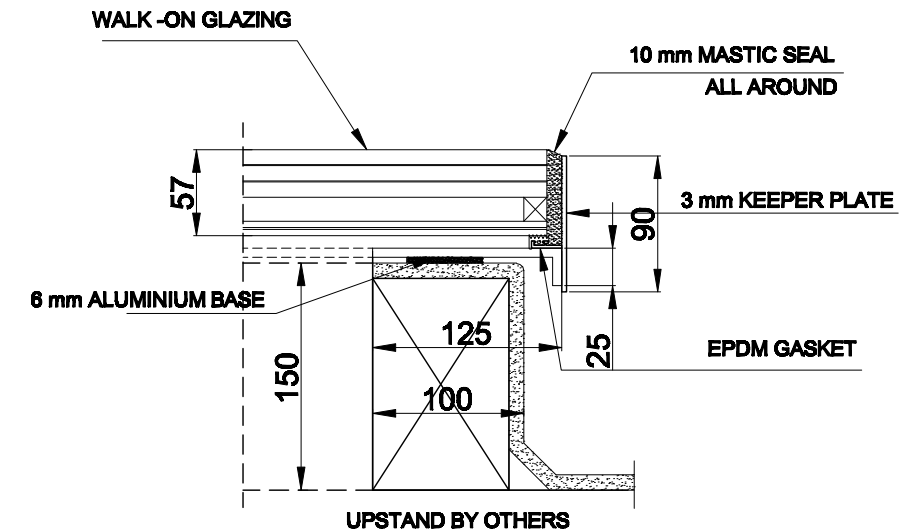
BBS - Mk. 8 Walk -on rooflights can be manufactured to any bespoke size requested by the customer
The upstand (by others) of Mk.8 Walk -on rooflights should have a maximum slope of 1 degree in on direction to allow the water to run off .

Mk. 8 Walk -on Rooflights are glazed as standard comprising of
31,5 mm Clear toughened ,laminated outer
16 mm Spacer
9,5 mm Clear toughened , laminated inner
Other types of glazing on request.

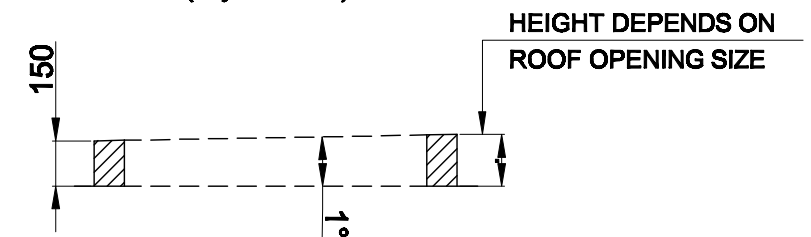
Surface preparations like sandblasting are depending on the glazing panel size, but should not exceed 1000 x 1500 mm

Panel sizes should not exceed 1270 mm x 1270 mm if the rooflight has to comply with ACR [M]001:20122 requirements .

DETAIL



UPSTAND (by others)



THE UPSTAND (by others) SHOULD SLOPE approx. 1° IN ONE DIRECTION TO ALLOW THE WATER TO RUN OFF.

DRAWING NUMBER :
A3 - MK8 - WEB 12

BBS Building Components

DRAWING TITLE:
BBS-MARK 8 MONO-PITCH WALK-ON ON SLOPED UPSTAND

FIRST ISSUE DATE:
OCT.2013

SCALE:
1:25 / 1:5