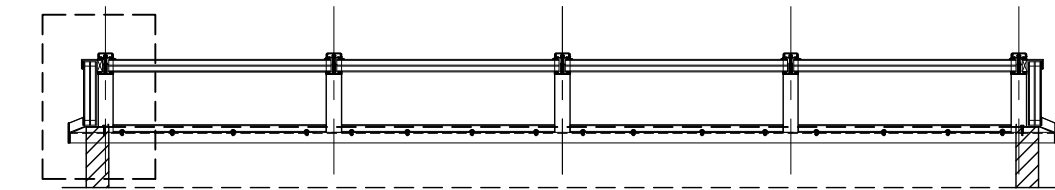
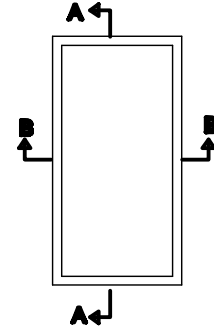


SECTION A - A

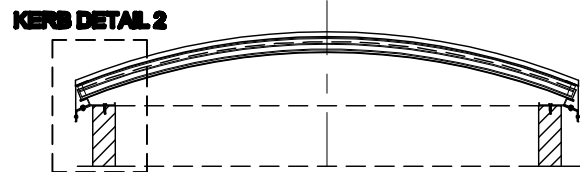


GABLE DETAIL 1

PLAN VIEW
NOT TO SCALE!

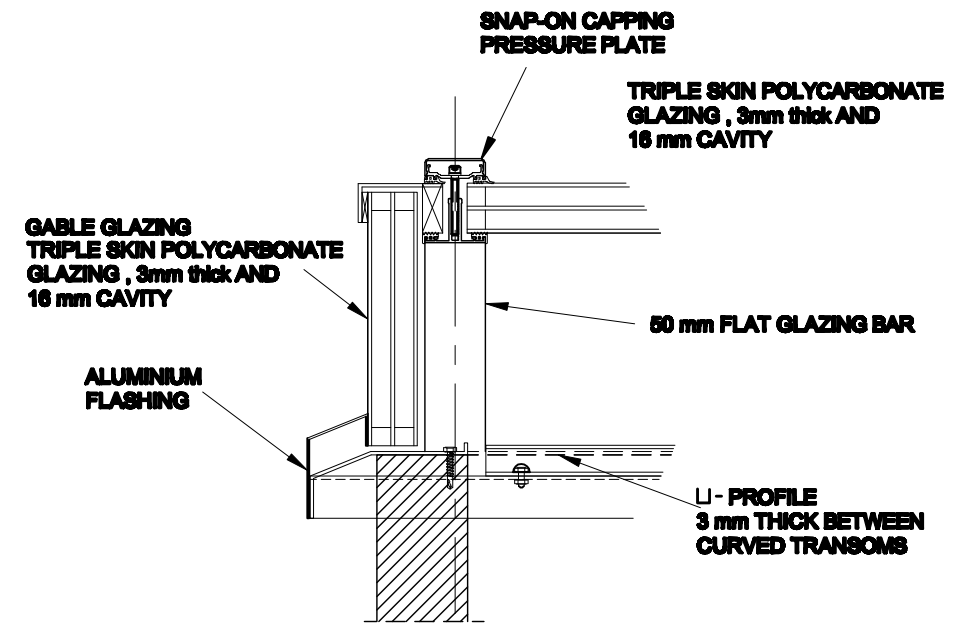


SECTION B - B

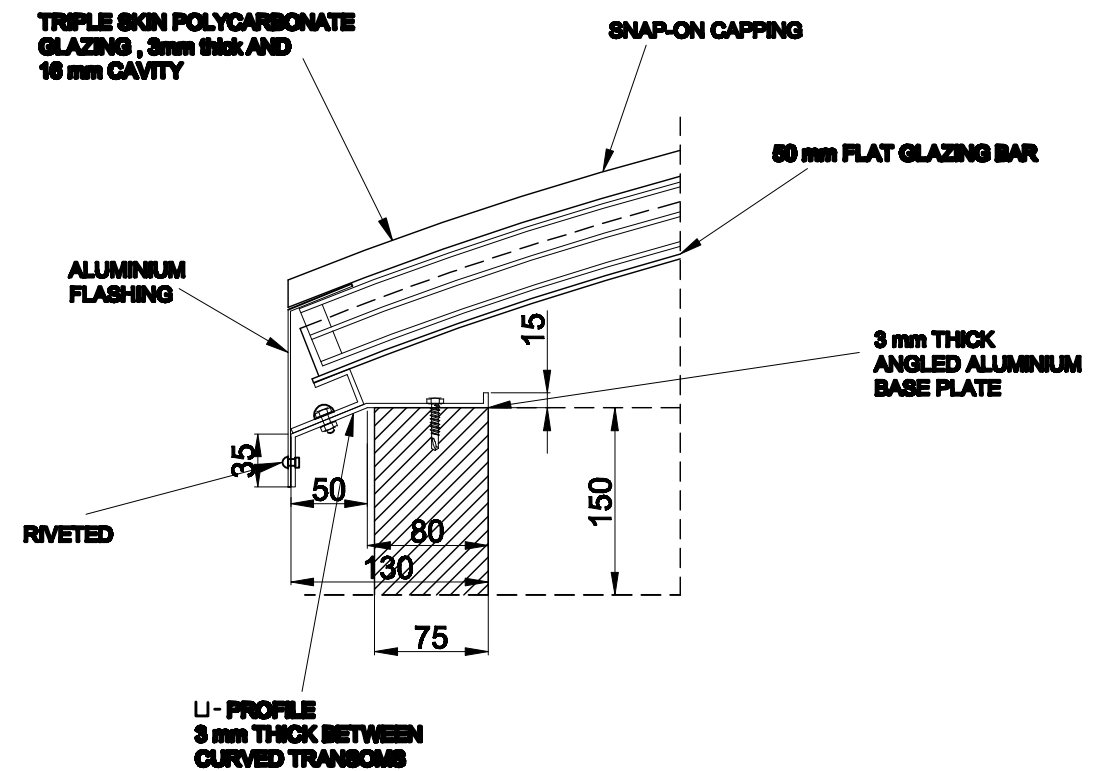


KERB DETAIL 2

GABLE DETAIL 1



KERB DETAIL 2



SPECIFICATION :

LOW PROFILE BARREL ROOFLIGHT
STRUCTURE:
 3 mm ANGLED ALUMINIUM BASE
 TO FIX TO CONTRACTORS KERB/SUPPORT FRAME
 50 mm FLAT GLAZING BAR
 WITH THREADED FIXING FINs + INTEGRAL DRAINAGE CHANNELS
 PRESSURE PLATES, SNAP-ON CAPPINGS AND INTEGRATED HIGH PERFORMANCE EPDM GASKETS
 ALUMINIUM FLASHINGS AS REQUIRED
GLAZING :

see glazing specification
 shown as triple glazed polycarbonate

PAINT :
 ALL EXPOSED ALUMINIUM SURFACES ARE TO BE POWDER COATED TO COLOUR OF CHOICE WITHIN THE STANDARD RAL OR BS COLOUR RANGE

GLAZING SPECIFICATION

BBS - Mk. 8 Barrel Lights can be glazed in a range of options as follows :

- Single, double or triple glazed UV-stable Pet-G in clear or opaque
- Single, double or triple glazed UV-stable Polycarbonate in clear or opaque, bronze tint or grey tint, has also been tested man-safe to ACR[M]001:2011
- Twinwall or Triwall, clear or opaque Polycarbonate, also tested man-safe to ACR [M]001:2011

DRAWING NUMBER :
A3 - MK8 - WEB 13

BBS Building Components

DRAWING TITLE:
**BBS-MARK 8 BARREL LIGHT
 OPTION 1 - GLAZING BARS - ON UPSTAND**

FIRST ISSUE DATE:
OCT.2013
 SCALE:
 1:25 / 1:5