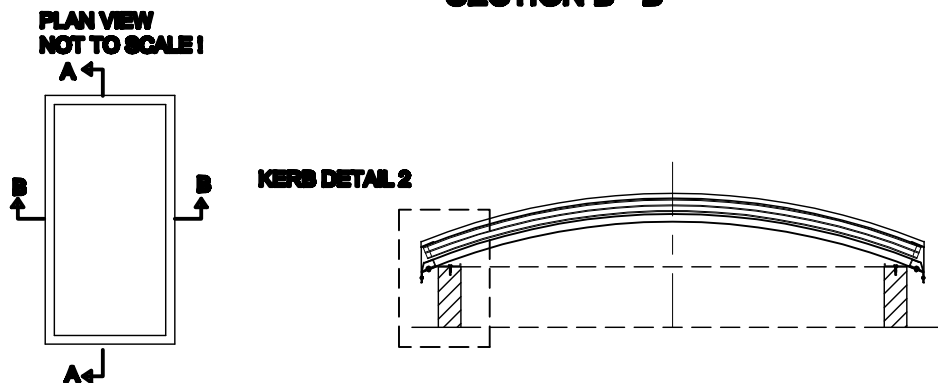


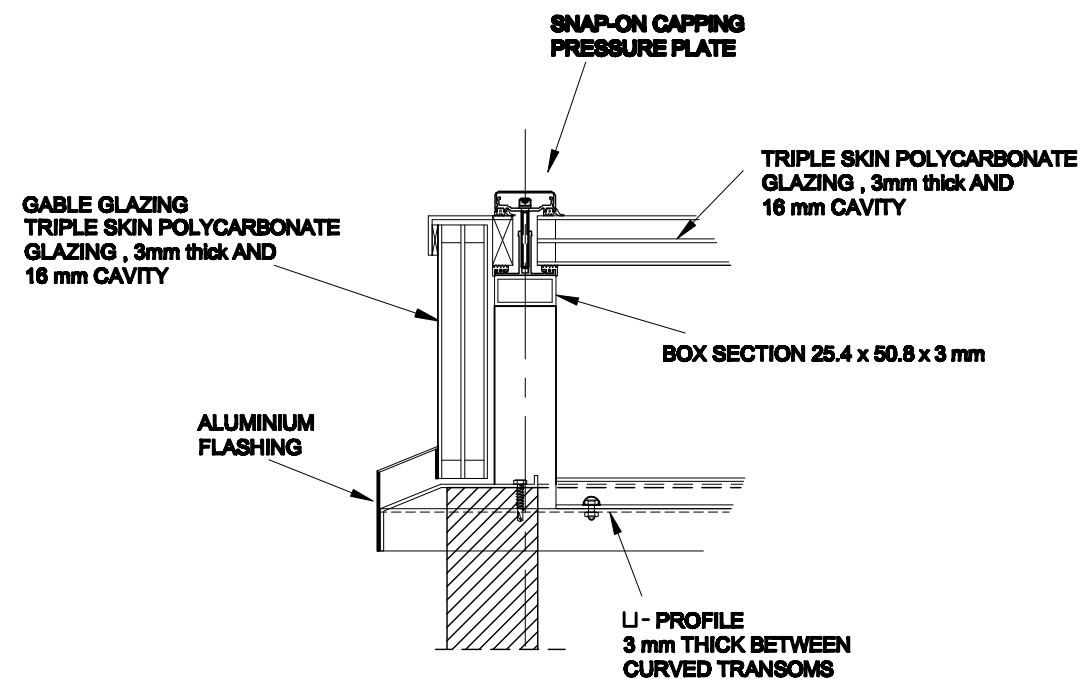
SECTION A - A



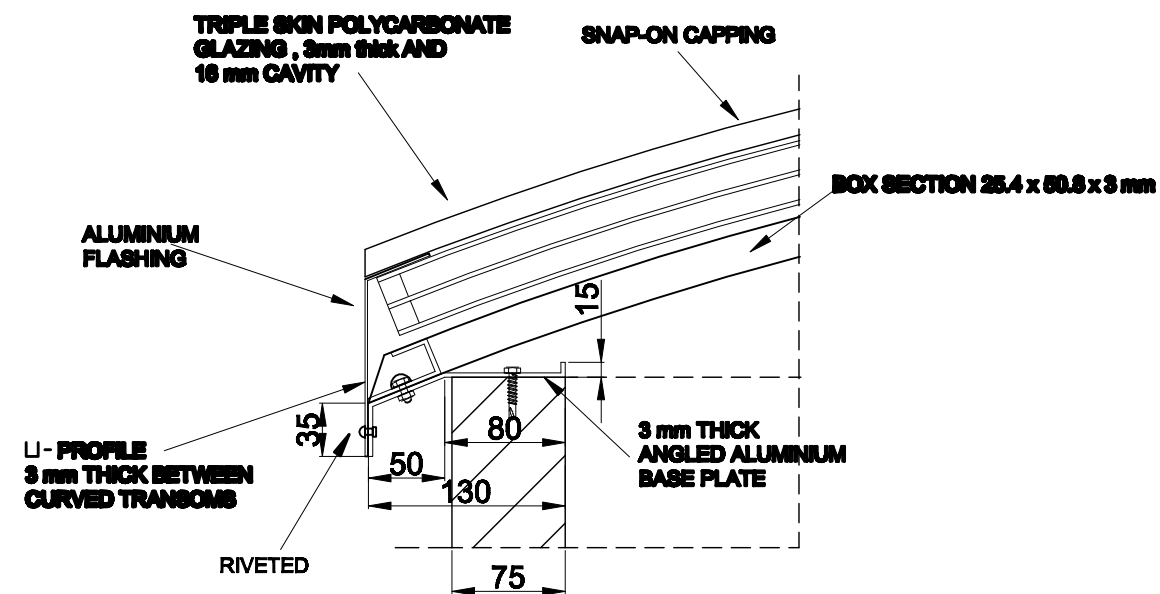
SECTION B - B



GABLE DETAIL 1



KERB DETAIL 2



SPECIFICATION :

LOW PROFILE BARREL ROOFLIGHT

STRUCTURE:
3 mm ANGLED ALUMINIUM BASE
TO FIX TO CONTRACTORS KERB/SUPPORT FRAME
25.4 x 50.8 x3 mm EXTRUDED ALUMINIUM BOX SECTION
WITH THREADED FIXING FINNS + INTEGRAL DRAINAGE
CHANNELS
PRESSURE PLATES , SNAP-ON CAPPINGS AND INTE-
GRATED HIGH PERFORMANCE EPDM GASKETS
ALUMINIUM FLASHINGS AS REQUIRED

GLAZING :
see glazing specification
shown as triple glazed polycarbonate

PAINT :
ALL EXPOSED ALUMINIUM SURFACES ARE TO BE POWDER
COATED TO COLOUR OF CHOICE WITHIN THE STANDARD
RAL OR BS COLOUR RANGE

GLAZING SPECIFICATION

BBS - Mk. 8 Barrel Lights can be glazed in a
range of options as follows :
Single, double or triple glazed UV-stable Pet-G
in clear or opaque
Single , double or triple glazed UV-stable Polycarbonate
in clear or opaque, bronze tint or grey tint ,
has also been tested man-safe to ACR[M]001:2011
Twinwall or Triwall , clear or opaque Polycarbonate ,
also tested man-safe to ACR [M]001:2011

DRAWING NUMBER :

A3 - MK8 - WEB 14

BBS Building Components

DRAWING TITLE:

**BBS-MARK 8 BARREL LIGHT
OPTION 2 - BOX SECTIONS - ON UPSTAND**

FIRST ISSUE DATE:

OCT.2013

SCALE:

1:25 / 1:5