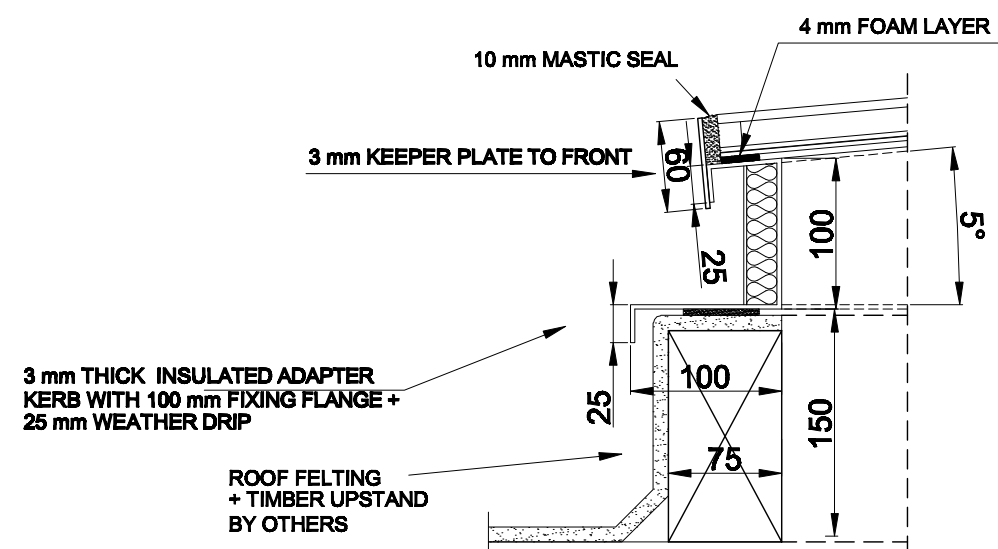
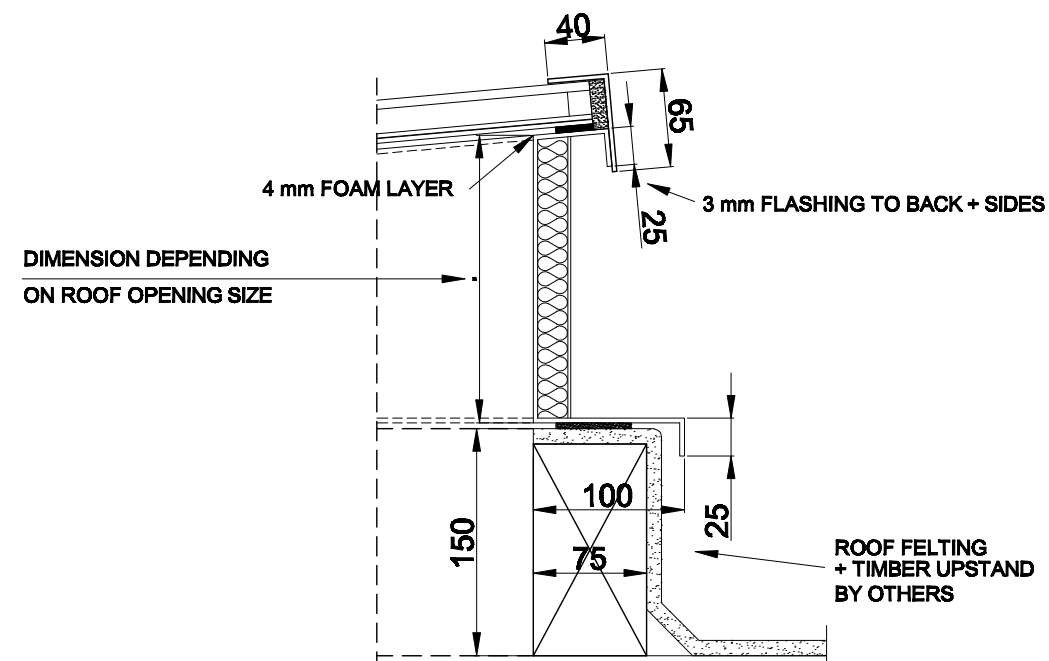


BBS - Mk. 4 rooflights can be manufactured to any bespoke size requested by the customer .  
 Mk.4 rooflights are fitted with standard glazing comprising 6 mm clear toughened outer , 16 mm argon cavity and 6,4 mm clear laminated low E inner .  
 Other glass specifications such as obscure , self cleaning and solar control are available on request .  
 Panel sizes should not exceed 1270 mm x 1270 mm if the rooflight has to comply with ACR [M]001:20122 requirements .  
 100 mm fixing flanges with 25 mm weather drips as standard but can be manufactured to suit any existing felted timber kerb sizes .  
 Mk. 4 rooflights should not be fitted to roof pitches above 15 degrees.

### DETAIL 1 FRONT



### DETAIL 2 BACK (+ SIDES )



DRAWING NUMBER :  
**A3 - MK4 - WEB 01**

**BBS Building Components**

DRAWING TITLE: **FIXED GLAZED  
BBS-MARK 4 MONO-PITCH ROOFLIGHT  
WITH ADAPTER KERB ON UPSTAND**

FIRST ISSUE DATE:  
**OCT.2013**

SCALE:  
**1:25 / 1:5**