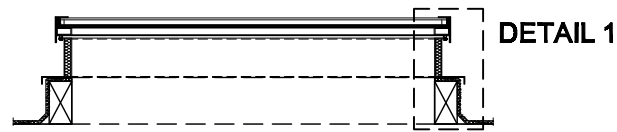
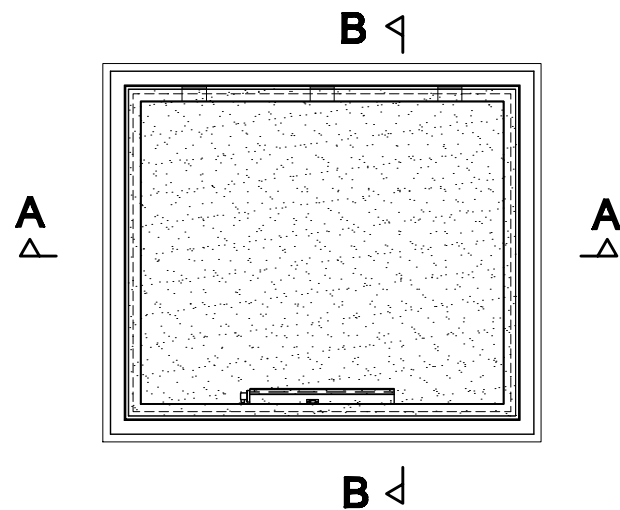


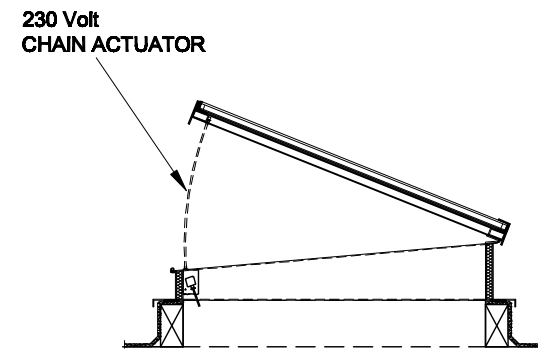
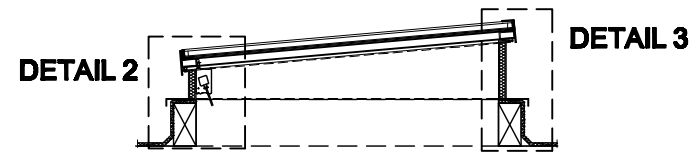
SECTION A - A



PLAN VIEW

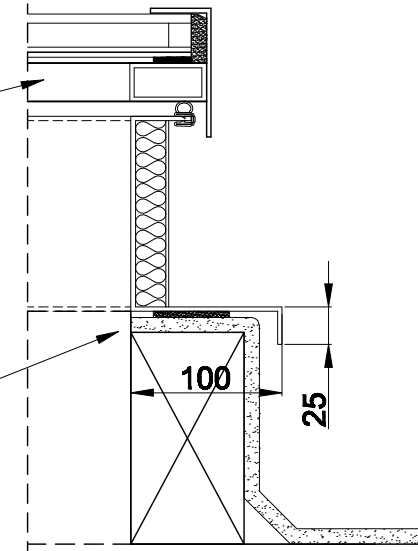


SECTION B - B



DETAIL 1

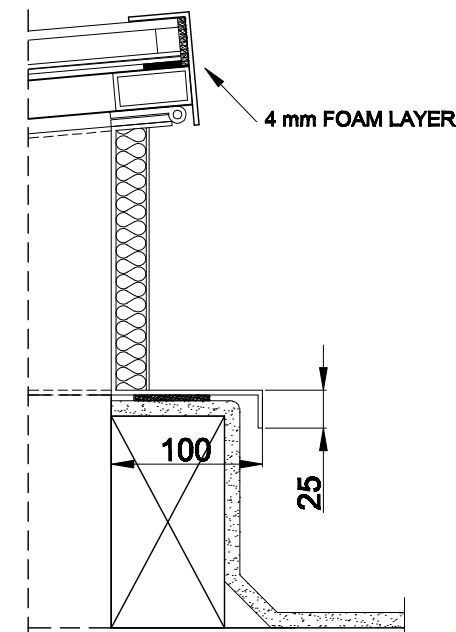
24,5 x 50,8 mm
ALUMINIUM BOX SECTION



3 mm THICK INSULATED ADAPTER
KERB WITH FIXING FLANGE + 25 mm
WEATHER DRIP

DETAIL 3

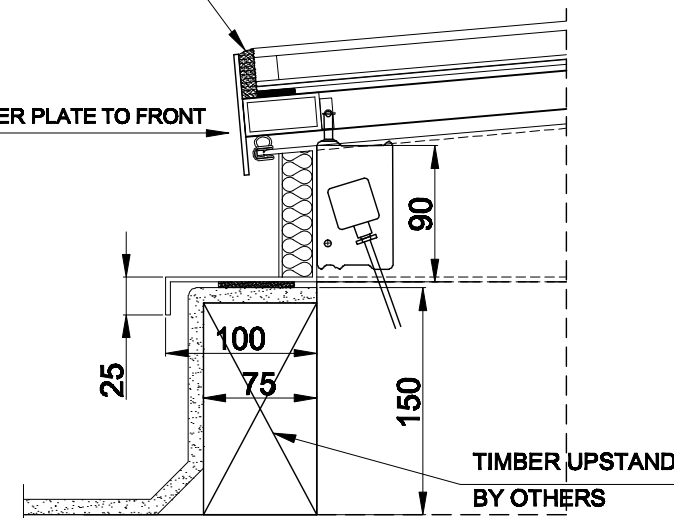
3 mm FLASHING TO BACK + SIDES



DETAIL 2

10 mm MASTIC SEAL

3 mm KEEPER PLATE TO FRONT



TIMBER UPSTAND
BY OTHERS

BBS - Mk. 4 rooflights can be manufactured to any bespoke size requested by the customer . Mk.4 rooflights are fitted with standard glazing comprising 6 mm clear toughened outer , 16 mm argon cavity and 6,4 mm clear laminated low E inner . Other glass specifications such as obscure , self cleaning and solar control are available on request . Panel sizes should not exceed 1270 mm x 1270 mm if the rooflight has to comply with ACR [M]001:20122 requirements .

100 mm fixing flanges with 25 mm weather drips as standard but can be manufactured to suit any existing felted timber kerb sizes .

Mk. 4 rooflights should not be fitted to roof pitches above 15 degrees.

DRAWING NUMBER :	A3 - MK4 - WEB 04
BBS Building Components	

DRAWING TITLE:	BBS -MARK 4 MONO-PITCH RL ELECTRIC H/O SMOKE VENT
----------------	--

FIRST ISSUE DATE:	OCT.2013
SCALE:	1:25 / 1:5