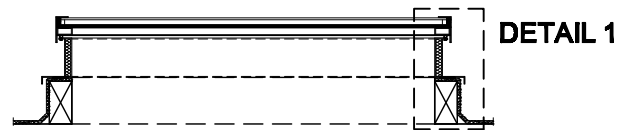
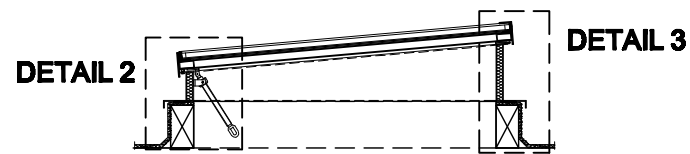


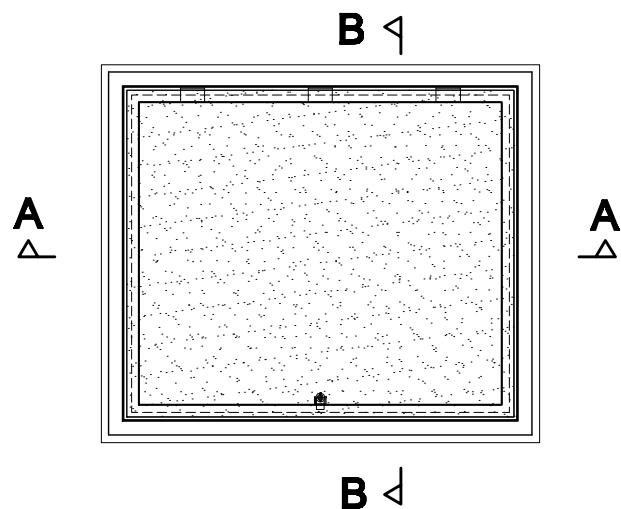
SECTION A - A



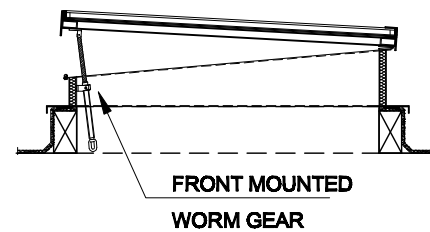
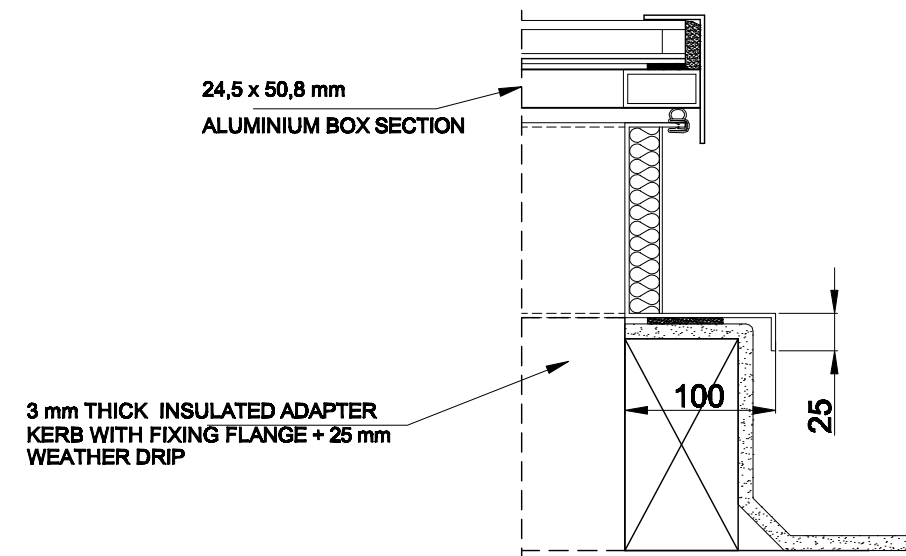
SECTION B - B



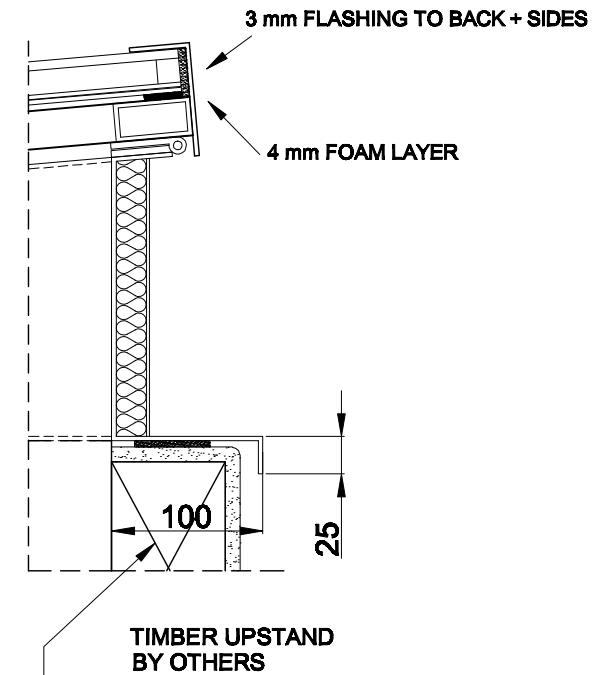
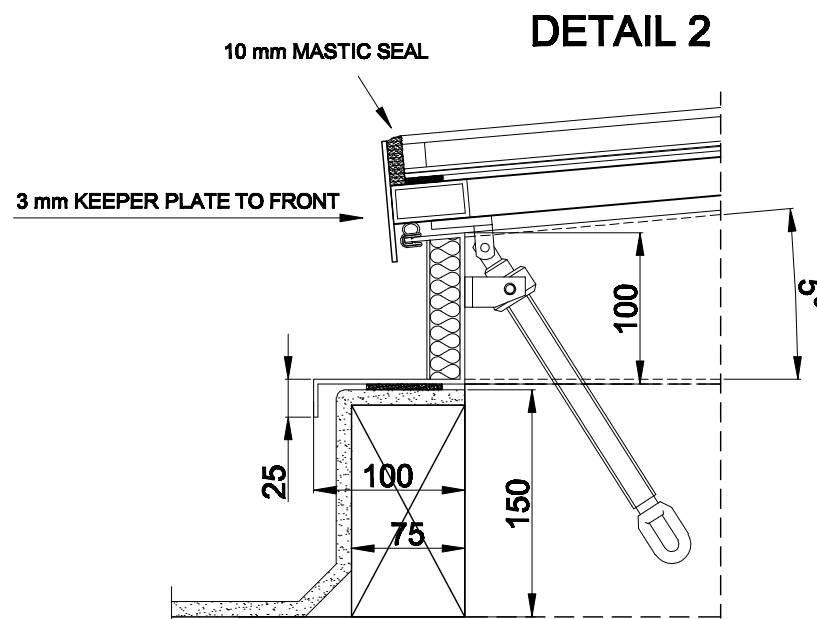
PLAN VIEW



DETAIL 1



DETAIL 3



BBS - Mk. 4 rooflights can be manufactured to any bespoke size requested by the customer . Mk.4 rooflights are fitted with standard glazing comprising 6 mm clear toughened outer , 16 mm argon cavity and 6,4 mm clear laminated low E inner . Other glass specifications such as obscure , self cleaning and solar control are available on request .

Panel sizes should not exceed 1270 mm x 1270 mm if the rooflight has to comply with ACR [M]001:20122 requirements .

100 mm fixing flanges with 25 mm weather drips as standard but can be manufactured to suit any existing felted timber kerb sizes .

Mk. 4 rooflights should not be fitted to roof pitches above 15 degrees.

DRAWING NUMBER :
A3 - MK4 - WEB 06
BBS Building Components

DRAWING TITLE:
BBS -MARK 4 MONO-PITCH ROOFLIGHT
MANUAL H/O VENT WITH WORM GEAR

FIRST ISSUE DATE:
OCT.2013
SCALE:
1:25 / 1:5