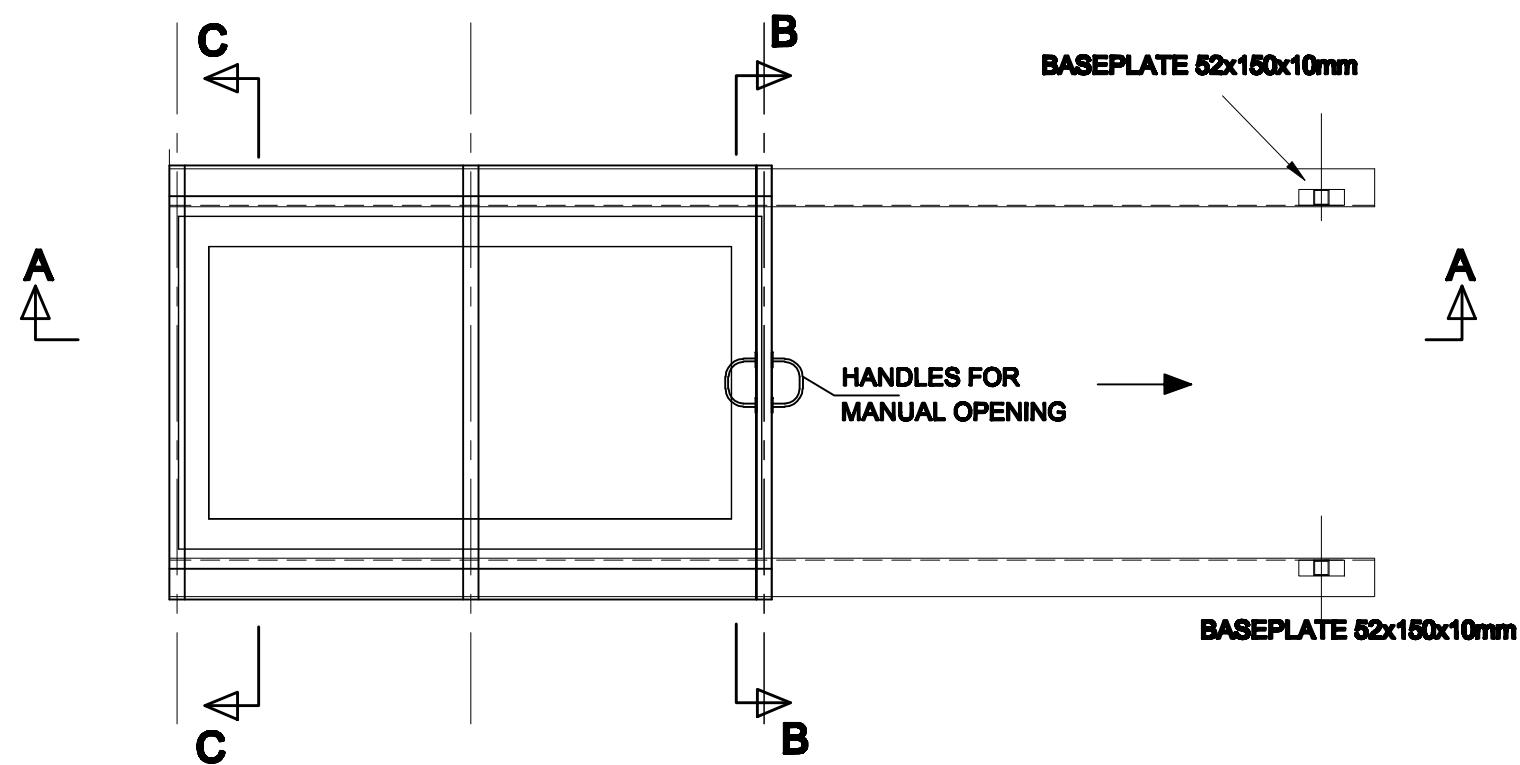
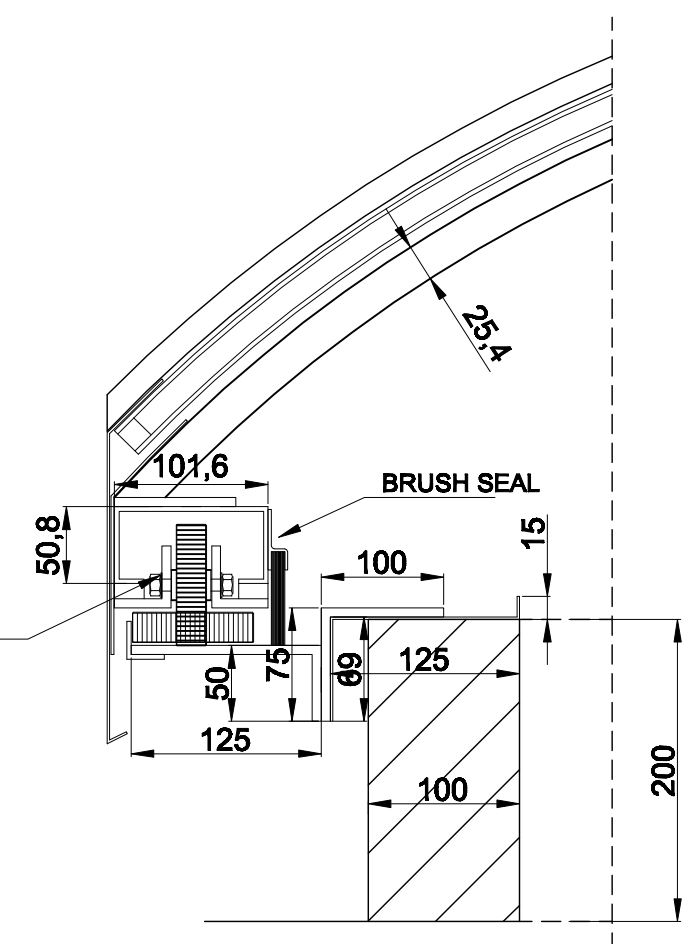
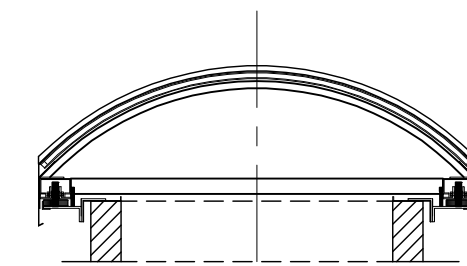


PLAN VIEW



SECTION C-C (GABLE)



This sliding rooflight is shown with double skin 3 mm clear polycarbonate glazing and 16 mm Cavity. Barrel Lights can also be manufactured as triple glazed with 2 No. cavities of 16 mm each .

The Transomes shown are 25,4 x 50,8 mm but can also be 50,8 x 50,8 mm depending on the span of the Barrel.

The polycarbonate can be clear or opal or tinted in grey or bronze . 10 mm Twinwall or 16 mm Multiwall Polycarbonate are also available , if the inner radius of the barrel is a minimum of 1500 mm .

DRAWING NUMBER :
A3 - SL- WEB 50
BBS Building Components

DRAWING TITLE:
MANUAL SLIDING BARREL LIGHT ON RAILS ON UPSTAND BY OTHERS

FIRST ISSUE DATE:
NOV.2013
SCALE:
1:25 / 1:5