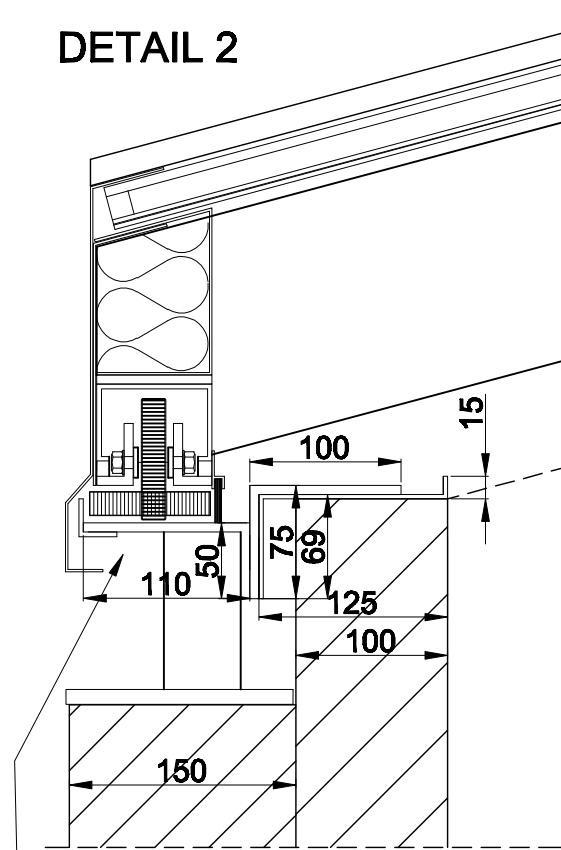
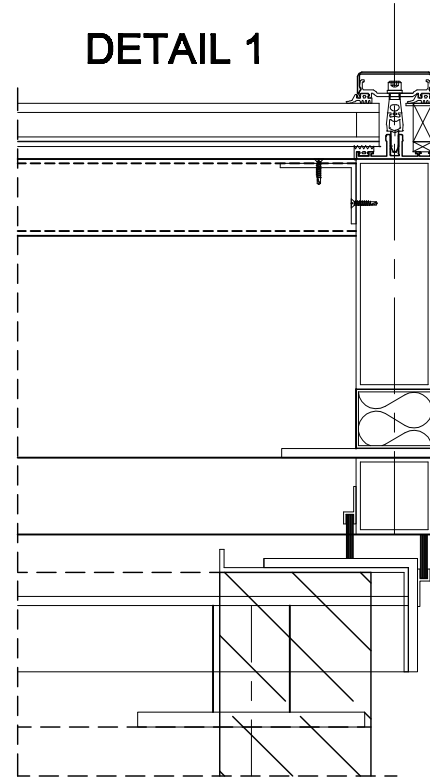


DETAIL 2

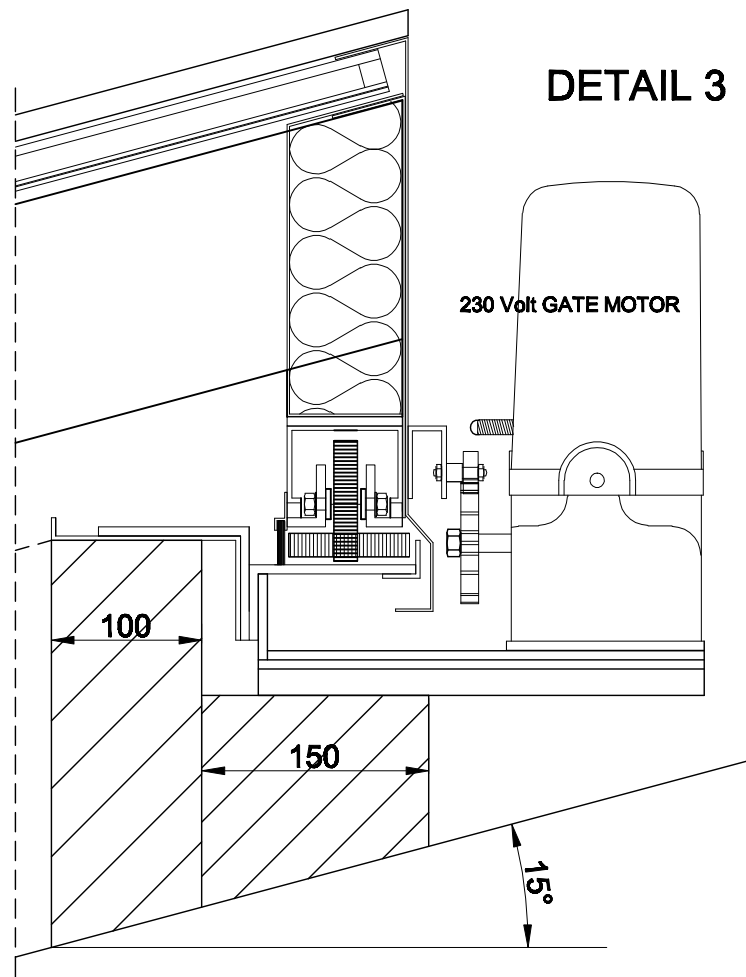


STANDARD 75/50 WHEEL BASE

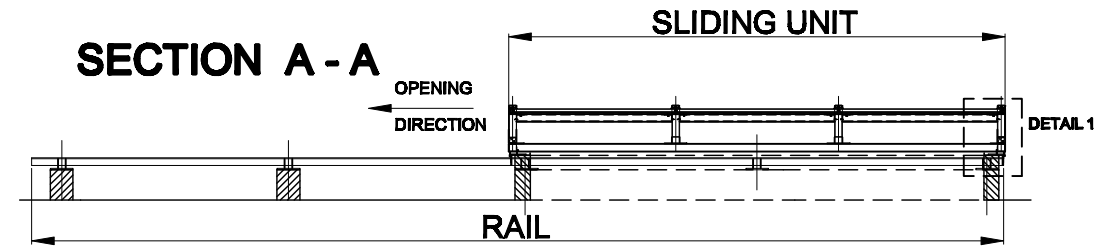
DETAIL 1



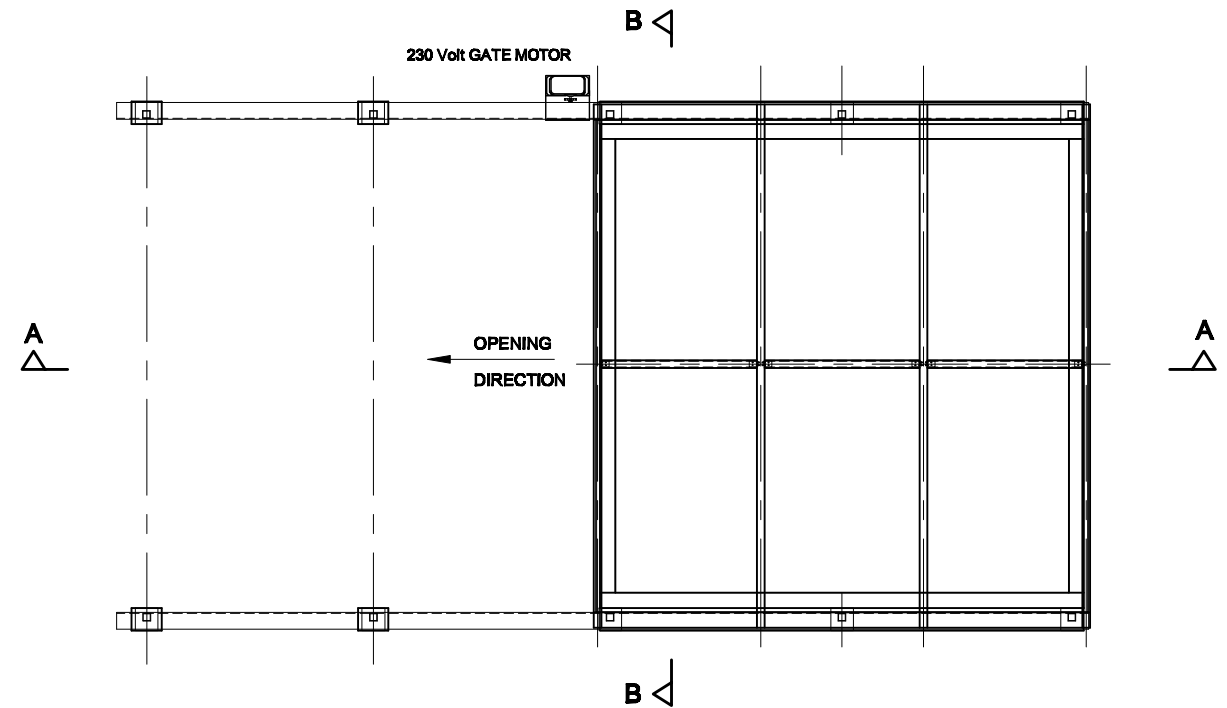
DETAIL 3



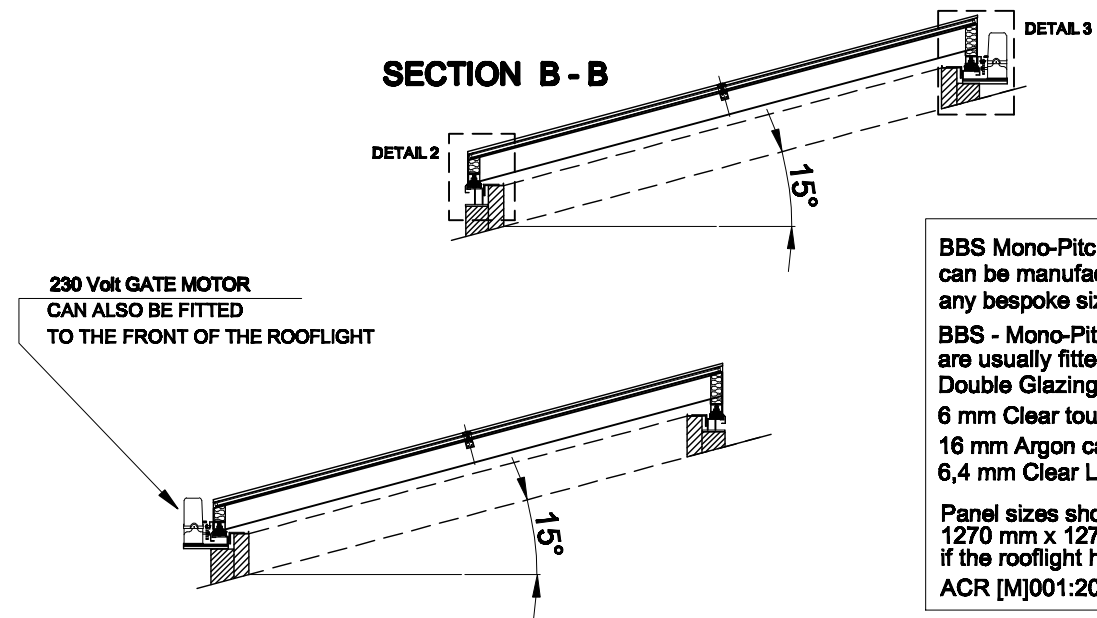
SECTION A - A



PLAN VIEW



SECTION B - B



230 Volt GATE MOTOR CAN ALSO BE FITTED TO THE FRONT OF THE ROOFLIGHT

BBS Mono-Pitch Sliding Rooflights can be manufactured to any bespoke size requested
 BBS - Mono-Pitch Sliding Rooflights are usually fitted with standard Double Glazing comprising
 6 mm Clear toughened outer
 16 mm Argon cavity
 6,4 mm Clear Low E laminated inner
 Panel sizes should not exceed 1270 mm x 1270 mm if the rooflight has to comply with ACR [M]001:20122 requirements .

DRAWING NUMBER :

A3 - SL- WEB 51

BBS Building Components

DRAWING TITLE:

ELECTRIC MONO-PITCH SLIDING ROOFLIGHT ON A SLOPED ROOF - WITH GATE MOTOR

FIRST ISSUE DATE:

NOV.2013

SCALE:

1:50 / 1:5