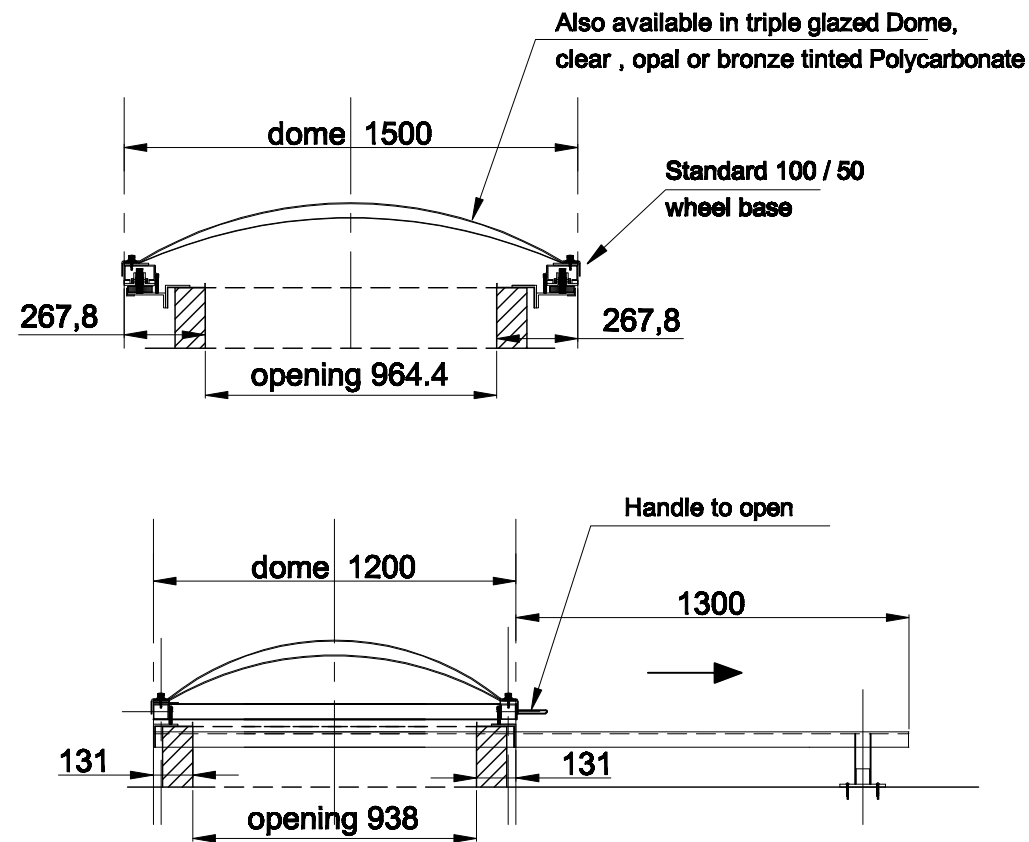
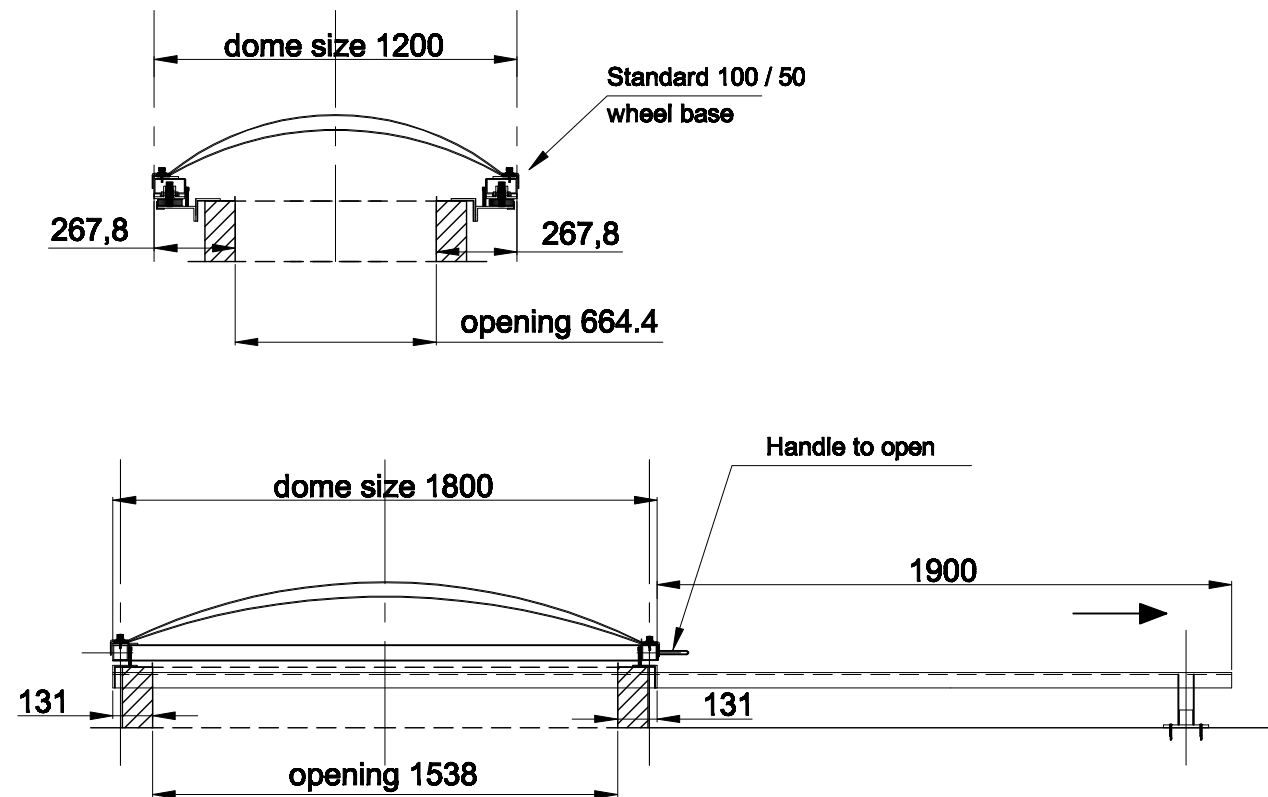


A ) opening approx 900 x 900  
 actual needed roof opening 964.4 x 938  
 with upstand 100 mm wide + 200 mm high allround  
 for dome size 1500 x 1200 mm standard size



C ) opening approx. 700 x 1500  
 actual needed roof opening 664.4 x 1538  
 with upstand 100 mm wide + 200 mm high allround  
 for dome size 1200 x 1800 mm standard size



Sizes can be adjusted to fit  
 all BBS MK. 1 Standard Domes  
 upwards from 600 x 600 mm Dome Size.  
 Also available ias triple glazed Domes .

**EXAMPLE NOT SHOWN ( as Pos. C )**

B ) opening approx. 800 x 1500  
 actual needed roof opening 964.4 x 1538  
 with upstand 100 mm wide + 200 mm high allround  
 for dome size 1500 x 1800 mm standard size

DRAWING NUMBER :

**A3 - SL - WEB 53**

**BBS Building Components**

DRAWING TITLE:

**MANUAL BBS -MK. 8 SLIDING ROOFLIGHTS  
 WITH STANDARD MK. 1 D/SK DOMES**

FIRST ISSUE DATE:

**DEC.2013**

SCALE:

**1:25**